



Product Features

-  Certified to AS 3996 Load Class G (900kN)
(NATA endorsed load test reports available)
-  AS 3996 (Clause 3.3.7) compliant for bicycle tyre penetration resistance
- Recesses in grate fit around 'anti-shunt' lugs on the edge rail to prevent longitudinal movement
- **PowerLok** barless and boltless locking system
- Suitable for use with S200K, H200SK channels
- Manufactured from ductile iron to AS 1831 Grade 500-7



Specifications

The grate shall be ACO S200K/H200SK* Iron Slotted grate with **PowerLok** barless and boltless locking system as manufactured by ACO. This grate has an overall width of 238mm and overall length of 500mm. Slot widths measure at a maximum of 18mm.

Materials & Design

The grate shall be manufactured from ductile iron and have **minimum** properties and characteristics as follows:

- Recesses in grate fit around 'anti-shunt' lugs on the edge rail to prevent longitudinal movement
- Manufactured from ductile iron to AS 1831 Grade 500-7
- Certified to AS 3996 Load Class G (900kN)¹
- Meets AS 3996 (Clause 3.3.7)
- Intake area of 45,200mm² per half metre of grate

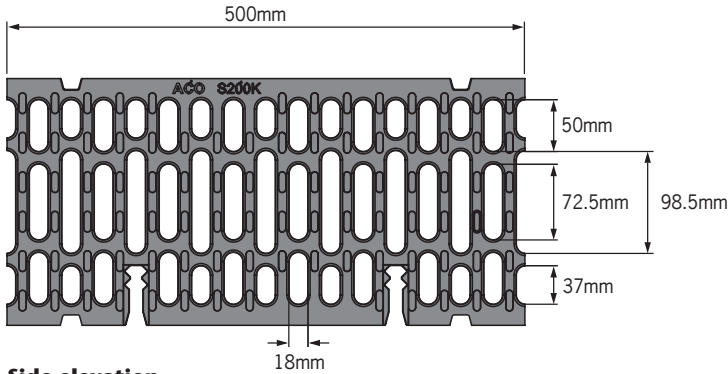
¹ NATA endorsed test reports available

For the specification of the ACO Drain channel system selected, click: <http://www.acodrain.com.au/product-support>

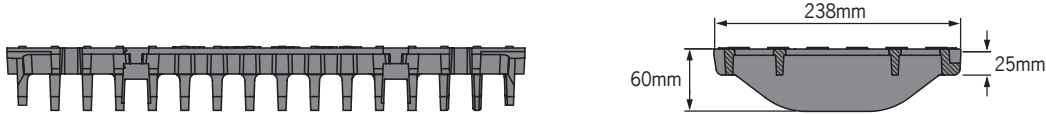
*delete as appropriate



Plan view

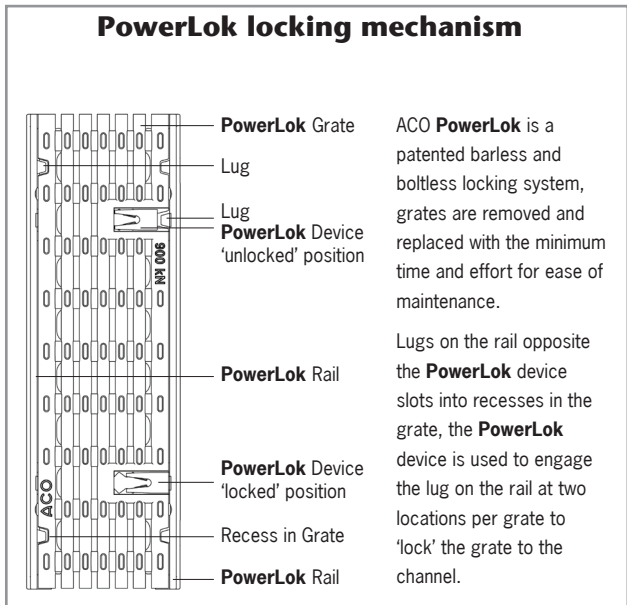


Side elevation



Description	Part No.	Length (mm)	Width (mm)	Weight (kg)
PowerLok grate S200K/H200SK Iron Slotted	71976	500	238	14.5
Grate removal tool	01318	-	-	0.1
PowerLok safety clip	10443	-	-	-

PowerLok locking mechanism



ACO Pty Ltd
Australia
Ph: 1300 765 226
www.acodrain.com.au
sales@acoaus.com.au

ACO Limited
New Zealand
Ph: 0800 448 080
www.acodrain.co.nz
sales@aconz.co.nz



©January 2022 ACO Pty Ltd. All reasonable care has been taken in compiling the information in this document. All recommendations and suggestions on the use of ACO products are made without guarantee since the conditions of use are beyond the control of the company. It is the customer's responsibility to ensure that each product is fit for its intended purpose and that the actual conditions are suitable. ACO Pty Ltd. pursues a policy of continuous product development and reserves the right to amend specifications without notice.